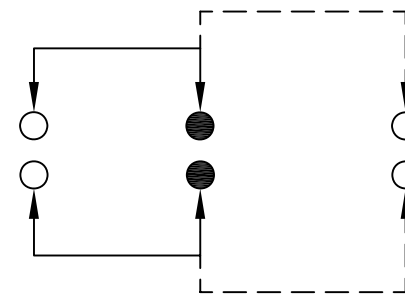
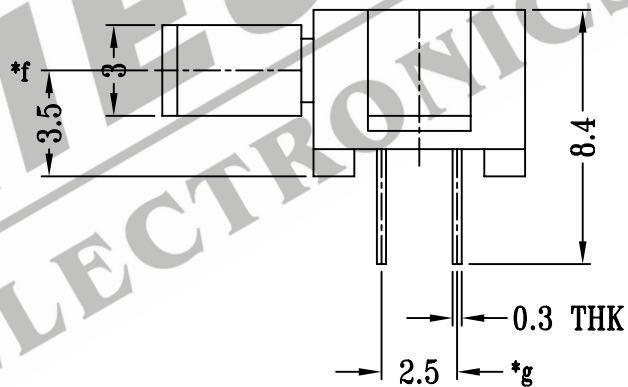
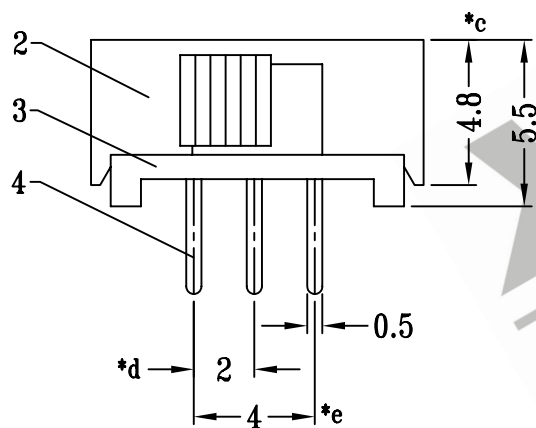
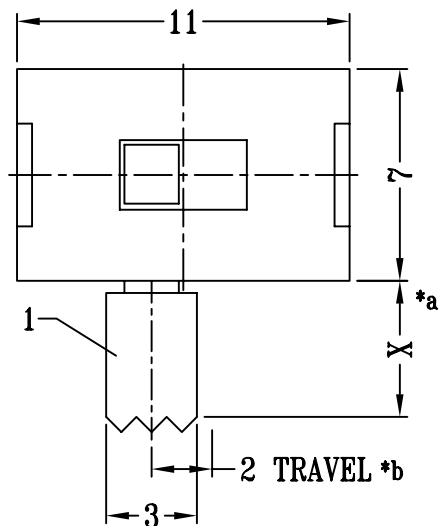
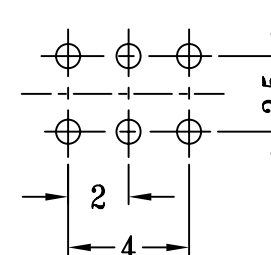


CAD FILE:



SCHEMATIC (NON-SHORTING)



P.C.B LAYOUT

注:带"*"表示关键尺寸(7个)

NO.	PARTS	MATERIALS	Q'TY	FINISH	TOLERANCE UNLESS SPECIFIED	SHENZHEN XIEJIA ELECTRONICS CO.,LTD.				
8						TITLE : HORIZONTAL SLIDE SWITCH MODEL: SK-22D07 ALL MATERIALS MUST BE COMPLIANT TO ROHS				
7										
6	SPRING PLATE	STAINLESS STEEL	1	NATURAL	WITHIN: 1.5±0.1mm	ISSUE	DATE	DESCRIPTIONS OF REVISION		APPD.
5	CONTACT CLIP	PBS	2	Ag CLAD	OVER: 1.5±0.2mm					
4	TERMINAL	BRASS STRIP	6	Ag PLATED OVER Ni PLATED		UNIT : mm	DRWG NO.: XJ-DR-SK22D07-00			
3	BASE	PC	1	BLACK		SCALE: 4:1	DWN.	ZHOUYU	2007-8-6	
2	HOUSING	POM	1	BLACK			CHK'D	FANGYING	2007-8-6	
1	KNOB	POM	1	BLACK			APPD.	KANGXINAN	2007-8-6	